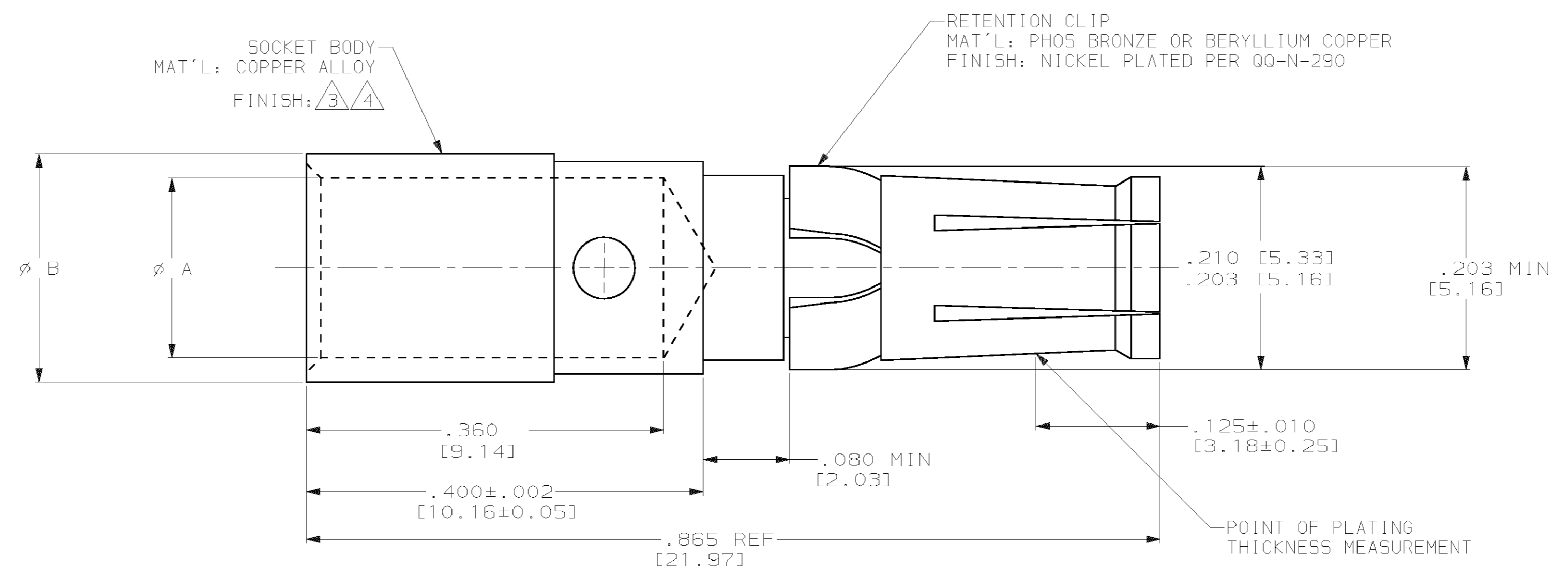


THIS DRAWING IS UNPUBLISHED. RELEASED FOR PUBLICATION
 (C) COPYRIGHT 19 BY AMP INCORPORATED. ALL RIGHTS RESERVED.

LOC		DIST		REVISIONS			
DF	DO	P	LTR	DESCRIPTION	DATE	DWN	APVD
		R		REV PER 063D-0012-01	7-03	CT	DM



PRELIMINARY NOT RELEASED FOR PRODUCTION	4	.185 [4.70]	.136 [3.45]	#10 AWG	211161-4
PRELIMINARY NOT RELEASED FOR PRODUCTION	4	.230 [5.84]	.181 [4.60]	#8 AWG	211161-3
	3	.185 [4.70]	.136 [3.45]	#10 AWG	211161-2
	3	.230 [5.84]	.181 [4.60]	#8 AWG	211161-1
FINISH		DIM B	DIM A	WIRE SIZE	PART NUMBER

- THIS PART CONFORMS TO REQUIREMENTS FOR DANIELS CRIMP TOOL NO. M300-BT, WITH DANIELS POSITIONER PART NO. SP689, STRIP LENGTH .375, #8 AWG SETTING 7, #10 AWG SETTING 6.
- MATES WITH 211159-1 IN AMPLIMITE CONNECTOR ASSEMBLIES ONLY.
- FINISH: PLATED GOLD .000050 [0.00127] MIN THK PER MIL-G-45204 OVER NICKEL .000050 [0.00127] MIN THK PER QQ-N-290.
- FINISH: PLATED GOLD .000030 [0.00076] MIN THK PER MIL-G-45204 OVER NICKEL .000050 [0.00127] MIN THK PER QQ-N-290.

THIS DRAWING IS A CONTROLLED DOCUMENT.

DIMENSIONS: INCHES [mm]	TOLEANCES UNLESS OTHERWISE SPECIFIED:	DWN C.C. THOMAS 9-6-00	AMP Incorporated Harrisburg, PA 17105-3608
	0 PLC ±-	CHK CHAD BAKER 9-6-00	
	1 PLC ±-	APVD CHAD BAKER 9-6-00	
	2 PLC ±-	PRODUCT SPEC	
MATERIAL SEE CALLOUTS	FINISH SEE CALLOUTS	APPLICATION SPEC	NAME ASSEMBLY, SOCKET CONTACT POWER VIII, #8 & #19 AWG
		WEIGHT -	SIZE A2 CAGE CODE 00779 DRAWING NO. 211161 RESTRICTED TO -
		CUSTOMER DRAWING	SCALE 10:1 SHEET 1 OF 1 REV R